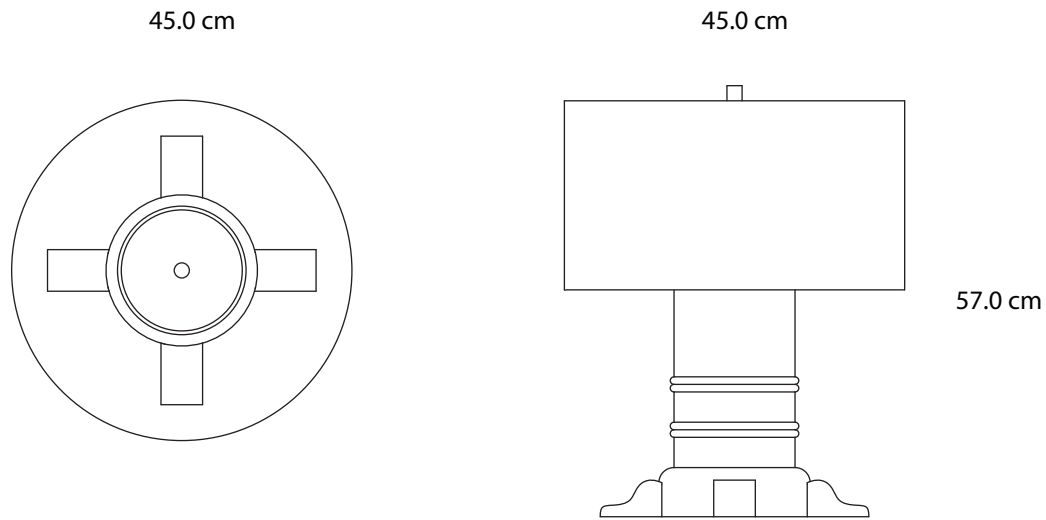


Studio Annetta



#SAL0102A

Studio Annetta



#SAL0102

THIS PIECE MARRIES INSPIRATION FROM A 1940S TABLE BASE WITH RECYCLED TIMBER FROM A NORTHERN THAI TEMPLE. THE BEAUTIFUL WOOD IS ACCENTED BY A BASE AND BANDS OF SOLID CAST BRONZE. THE PIECE IS ALSO OFFERED IN A LACQUERED FINISH OF FAUX IVORY.

DIMENSIONS:
Ø45 X 57 H CM

Studio Annetta (Hong Kong) Ltd.
14C E Wah Factory Building
56-60 Wong Chuk Hang Road
Aberdeen, Hong Kong
T: +852 3489 0240 F: +852 3010 4840
E: products@studioannetta.com
www.studioannetta.com