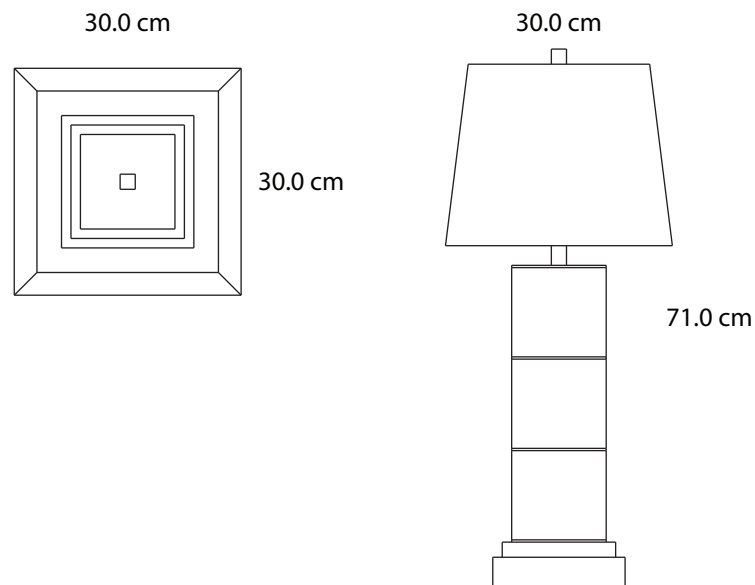


Studio Annetta



#SAL0105

Studio Annetta



#SAL0105

THIS PIECE OFFERS A SIMPLE, ELEGANT DESIGN THAT WILL WORK IN ANY INTERIOR. SOLID BRONZE AND STAINLESS STEEL ARE USED IN THE CONSTRUCTION AND ARE COMPLEMENTED BY THE EXOTIC LOOK OF OSTRICH LEATHER.

DIMENSIONS:
35 W X 71 H CM

Studio Annetta (Hong Kong) Ltd.
14C E Wah Factory Building
56-60 Wong Chuk Hang Road
Aberdeen, Hong Kong
T: +852 3489 0240 F: +852 3010 4840
E: products@studioannetta.com
www.studioannetta.com