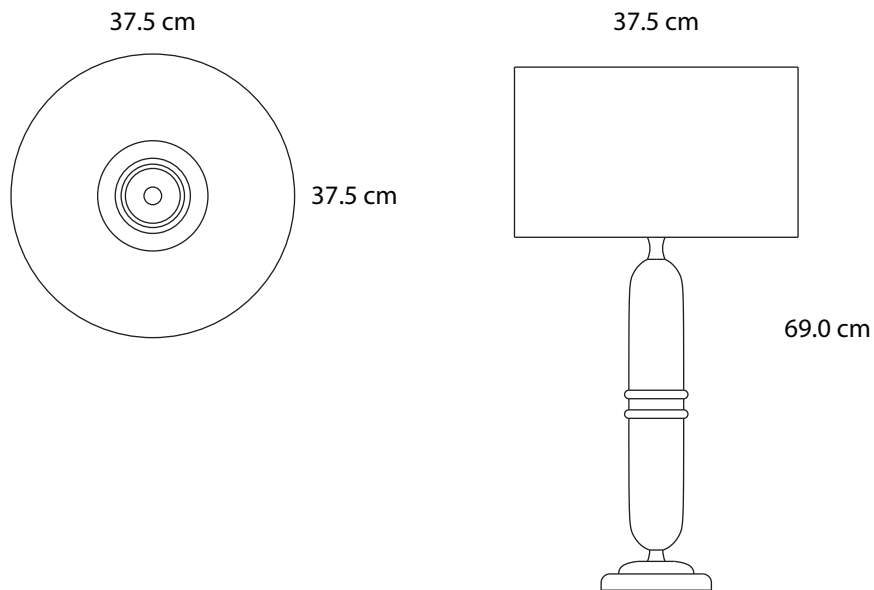


Studio Annetta



#SAL0114

Studio Annetta



#SAL0114

AN INDUSTRIAL DESIGN FROM 1940S FRANCE HAS BEEN REIMAGINED IN THIS PIECE AND REALISED IN SOLID TIMBER WITH A BASE AND BANDS OF CAST BRONZE.

DIMENSIONS:
Ø37.5 X 69 H CM

Studio Annetta (Hong Kong) Ltd.
14C E Wah Factory Building
56-60 Wong Chuk Hang Road
Aberdeen, Hong Kong
T: +852 3489 0240 F: +852 3010 4840
E: products@studioannetta.com
www.studioannetta.com